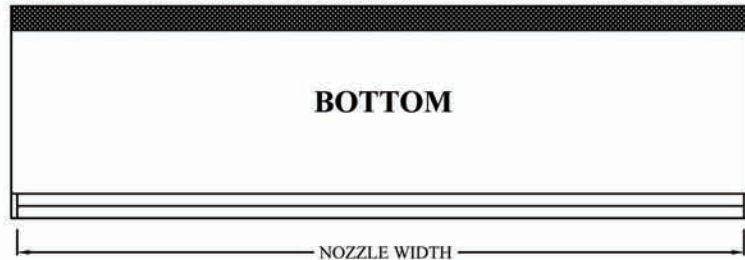
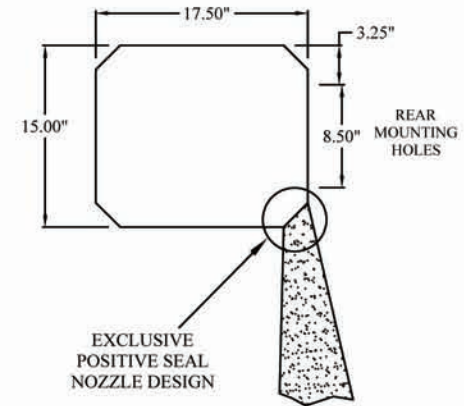


FRONT



BOTTOM



REAR MOUNTING HOLES

MODEL NUMBER	BCT 1-36	BCT 1-42	BCT 1-48	BCT 1-60	BCT 2-60	BCT 2-72	BCT 2-84	BCT 2-96	BCT 3-108	BCT 3-120	BCT 3-132	BCT 4-144
OVERALL WIDTH	37	43	49	61	61	73	85	97	109	119	134	146
NOZZLE WIDTH	36	42	48	60	60	72	84	96	108	118	133	145
MOUNTING WIDTH	36 1/16	42 1/16	48 1/16	60 1/16	60 1/16	72 1/16	84 1/16	96 1/16	108 1/16	118 1/16	133 1/16	145 1/16

JOB NAME :	TAG(S) :
LOCATION :	MODEL # :
CONTRACTOR :	ENGINEER :

PIONEER INDUSTRIAL DOORS		PO Box 338 • Spring Hill, TN 37174 866.753.2655 • Fax: 931.486.0316 www.pioneerindustrialdoor.com	
DATE: 04/05/05	PART DESCRIPTION:		
DRAWN BY: B.K.J.	MODEL BCT BUG CONTROL UP TO TEN FEET HIGH		
PART/FILE# BCT			