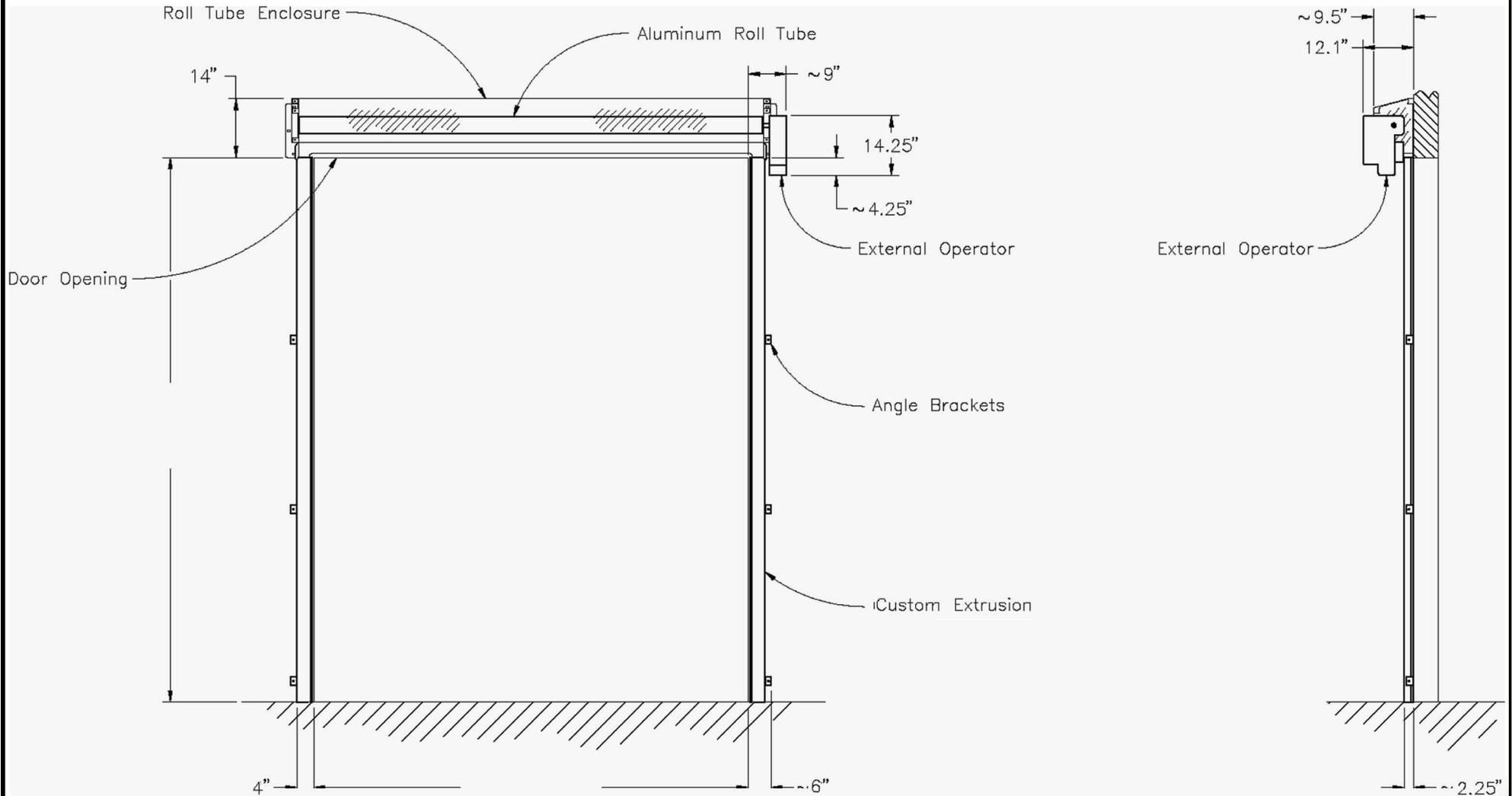


Harsh Environment Door

Face Mount - 302 Series



Pioneer Industrial Doors
PO Box 338 • Spring Hill, TN 37174
Toll Free: 1.866.753.2655 • Fax: 931.486.0316
www.pioneerindustrialdoor.com

JOB