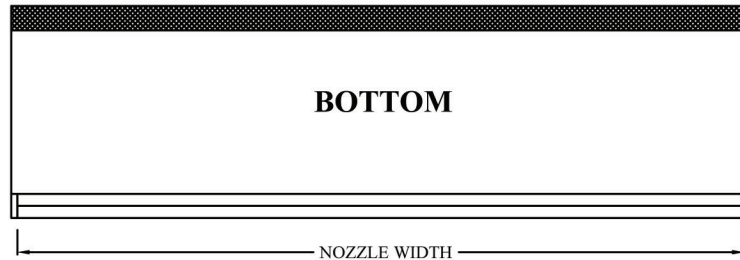
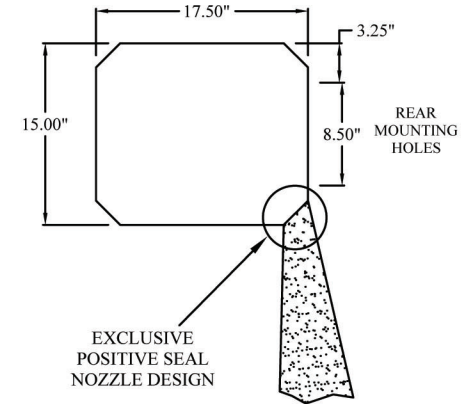


FRONT



BOTTOM

MODEL NUMBER	BCE 1-36	BCE 1-42	BCE 1-48	BCE 1-60	BCE 2-60	BCE 2-72	BCE 2-84	BCE 2-96	BCE 3-108	BCE 3-120	BCE 3-132	BCE 4-144
OVERALL WIDTH	37	43	49	61	61	73	85	97	109	119	134	146
NOZZLE WIDTH	36	42	48	60	60	72	84	96	108	118	133	145
MOUNTING WIDTH	36 1/16	42 1/16	48 1/16	60 1/16	60 1/16	72 1/16	84 1/16	96 1/16	108 1/16	118 1/16	133 1/16	145 1/16

JOB NAME :	TAG(S) :
LOCATION :	MODEL # :
CONTRACTOR :	ENGINEER :

		PO Box 338 • Spring Hill, TN 37174 866.753.2655 • Fax: 931.486.0316 www.pioneerindustrialdoor.com
DATE: 03/01/11	PART DESCRIPTION:	
DRAWN BY: B.K.J.	MODEL BCE BUG CONTROL UP TO EIGHT FEET HIGH	
PART/FILE# BCE		