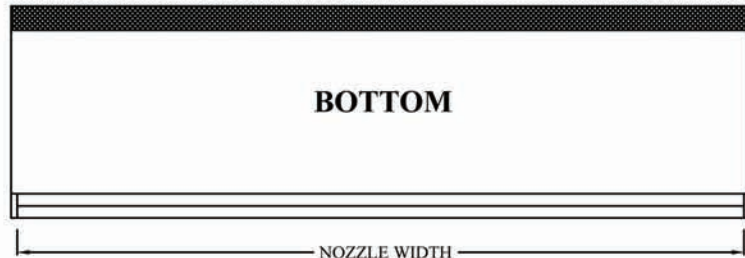
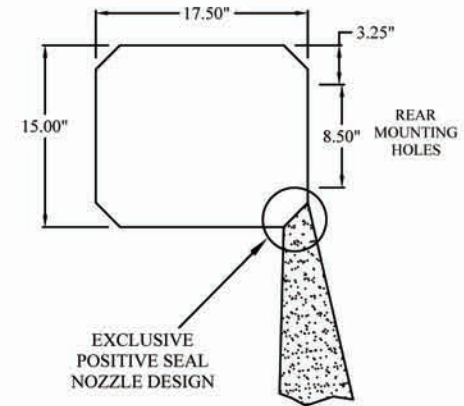


**FRONT**



**BOTTOM**



MODEL NUMBER	CED 1-36E	CED 1-42E	CED 1-48E	CED 1-60E	CED 2-60E	CED 2-72E	CED 2-84E	CED 2-96E	CED 3-108E	CED 3-120E	CED 3-132E	CED 4-144E
OVERALL WIDTH	37	43	49	61	61	73	85	97	109	119	134	146
NOZZLE WIDTH	36	42	48	60	60	72	84	96	108	118	133	145
MOUNTING WIDTH	36 1/16	42 1/16	48 1/16	60 1/16	60 1/16	72 1/16	84 1/16	96 1/16	108 1/16	118 1/16	133 1/16	145 1/16

JOB NAME :	TAG(S) :
LOCATION :	MODEL # :
CONTRACTOR :	ENGINEER :

**PIONEER**  
INDUSTRIAL DOORS

P.O. Box 338 • Spring Hill, TN 37174  
1.866.753.2655 • Fax: 931.486.0316  
www.pioneerindustrialdoor.com

DATE: 04/05/05  
DRAWN BY: B.K.J.  
PART/FILE# CED-E

PART DESCRIPTION:  
CED ELECTRICALLY HEATED  
CUSTOMER ENTRANCE DOOR