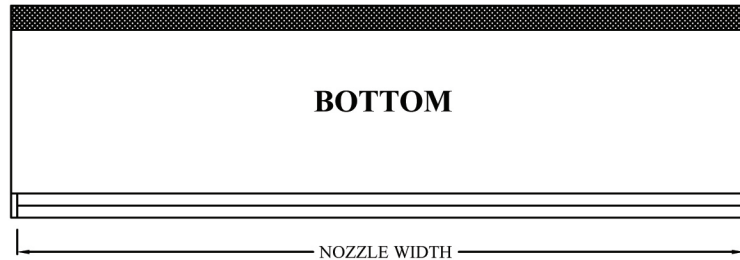
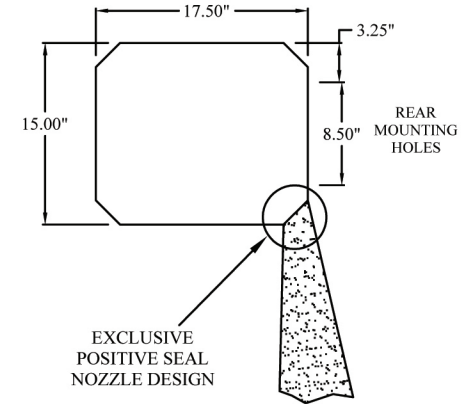


FRONT



BOTTOM



EXCLUSIVE POSITIVE SEAL NOZZLE DESIGN

MODEL NUMBER	ETD 1-36	ETD 1-42	ETD 1-48	ETD 1-60	ETD 2-60	ETD 2-72	ETD 2-84	ETD 2-96	ETD 3-108	ETD 3-120	ETD 3-132	ETD 4-144
OVERALL WIDTH	37	43	49	61	61	73	85	97	109	119	134	146
NOZZLE WIDTH	36	42	48	60	60	72	84	96	108	118	133	145
MOUNTING WIDTH	36 1/16	42 1/16	48 1/16	60 1/16	60 1/16	72 1/16	84 1/16	96 1/16	108 1/16	118 1/16	133 1/16	145 1/16

JOB NAME :	TAG(S) :
LOCATION :	MODEL # :
CONTRACTOR :	ENGINEER :



Pioneer Industrial Doors
 PO Box 338 * Spring Hill, TN 37174
 1-866-753-2655 * Fax: 931-486-0316

DATE: 04/05/05	PART DESCRIPTION: CURTAIN WALL MODEL ETD UNHEATED CLIMATE CONTROL DOOR
DRAWN BY: B.K.J.	
PART/FILE# ETD	