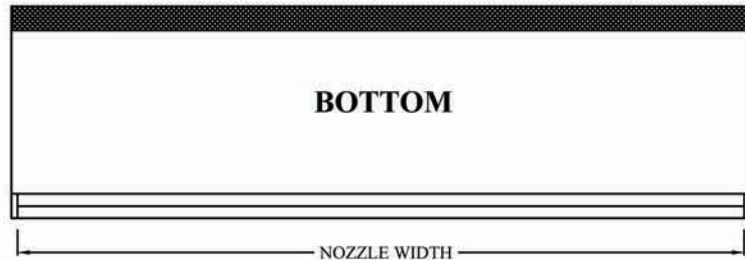
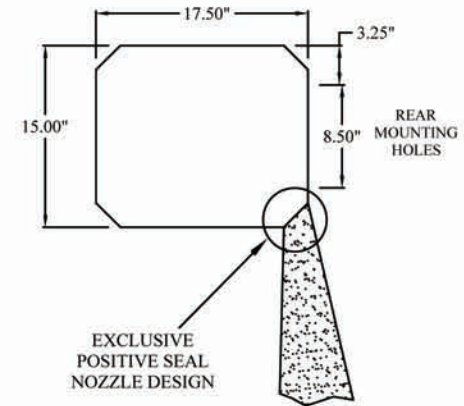


FRONT



BOTTOM



MODEL NUMBER	LIM 1-36	LIM 1-42	LIM 1-48	LIM 1-60	LIM 2-72	LIM 2-84	LIM 2-96	LIM 3-108	LIM 2-120	LIM 3-120	LIM 2-132	LIM 3-132	LIM 3-144	LIM 4-144
OVERALL WIDTH	37	43	49	61	73	85	97	109	119	119	134	134	146	146
NOZZLE WIDTH	36	42	48	60	72	84	96	108	118	118	133	133	145	145
MOUNTING WIDTH	36 1/16	42 1/16	48 1/16	60 1/16	72 1/16	84 1/16	96 1/16	108 1/16	118 1/16	118 1/16	133 1/16	133 1/16	145 1/16	145 1/16

JOB NAME :	TAG(S) :
LOCATION :	MODEL # :
CONTRACTOR :	ENGINEER :

 P.O. Box 338 Spring Hill, TN 37174 1.866.753.2655 Fax: 931.486.0316 www.pioneerindustrialdoor.com	
DATE: 10/18/10	PART DESCRIPTION:
DRAWN BY: B.K.J.	MODEL LIM UNHEATED AIR CURTAIN
PART/FILE# LIM	