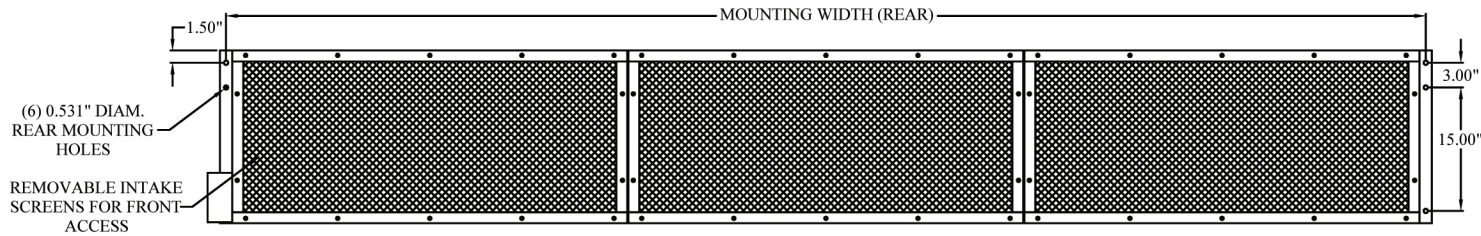


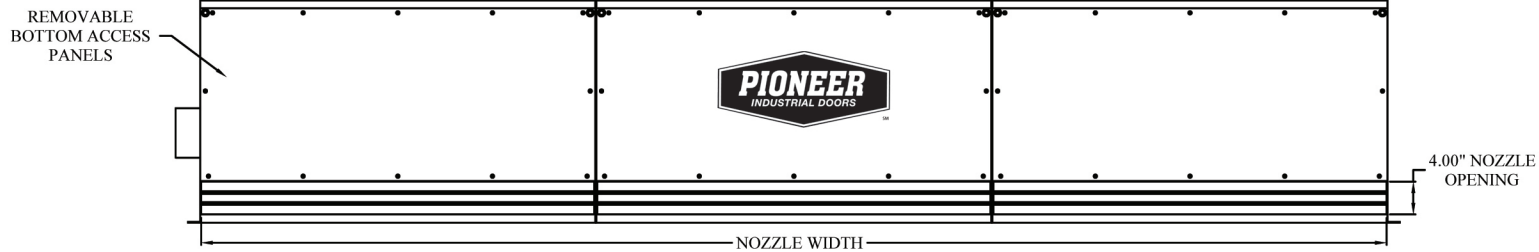
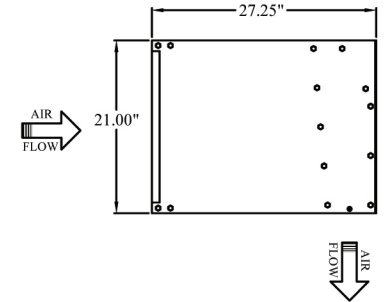
TOP



- NOTES:
 1. INSTALLER IS RESPONSIBLE FOR STRUCTURALLY SOUND MOUNTING OF THE UNIT.
 2. VERIFY THAT OVERALL DIMENSIONS WILL FIT IN OPENING.



FRONT



BOTTOM

MODEL NUMBER	TSD 1-48	TSD 1-60	TSD 1-72	TSD 2-96	TSD 2-108	TSD 2-120	TSD 2-132	TSD 2-144	TSD 3-144	TSD 3-156	TSD 3-168	TSD 3-180	TSD 3-192	TSD 4-192	TSD 3-204	TSD 4-204	TSD 3-216	TSD 4-216	TSD 4-228	TSD 4-240	TSD 5-240	TSD 4-252	*See Reverse Side For Larger Sizes
OVERALL WIDTH	51.00	63.00	75.00	99.12	111.12	123.12	135.12	147.12	147.24	159.24	171.24	183.24	195.24	195.36	207.24	207.36	219.24	219.36	231.36	243.36	243.48	255.36	
NOZZLE WIDTH	48.00	60.00	72.00	96.12	108.12	120.12	132.12	144.12	144.24	156.24	168.24	180.24	192.24	192.36	204.24	204.36	216.24	216.36	228.36	240.36	240.48	252.36	
MOUNTING WIDTH REAR	49.50	61.50	73.50	97.62	109.62	121.62	133.62	145.62	145.74	157.74	169.74	181.74	193.74	193.86	205.74	205.86	217.74	217.86	229.86	241.86	241.98	253.86	
MOUNTING WIDTH TOP	47.00	59.00	71.00	95.12	107.12	119.12	131.12	143.12	143.24	155.24	167.24	179.24	191.24	191.36	203.24	203.36	215.24	215.36	227.36	239.36	239.48	251.36	

JOB NAME :	TAG(S) :	<p>Pioneer Industrial Door PO Box 338 * Spring Hill, TN 37174 1-866-753-2655 * Fax: 931-486-0316</p>
LOCATION :	MODEL # :	
CONTRACTOR :	ENGINEER :	
		DATE: 04/05/05 DRAWN BY: B.K.J. PART/FILE#
		PART DESCRIPTION: CURTAIN WALL MODEL TSD FRONT INTAKE 4 - 21 FEET DOOR WIDTH