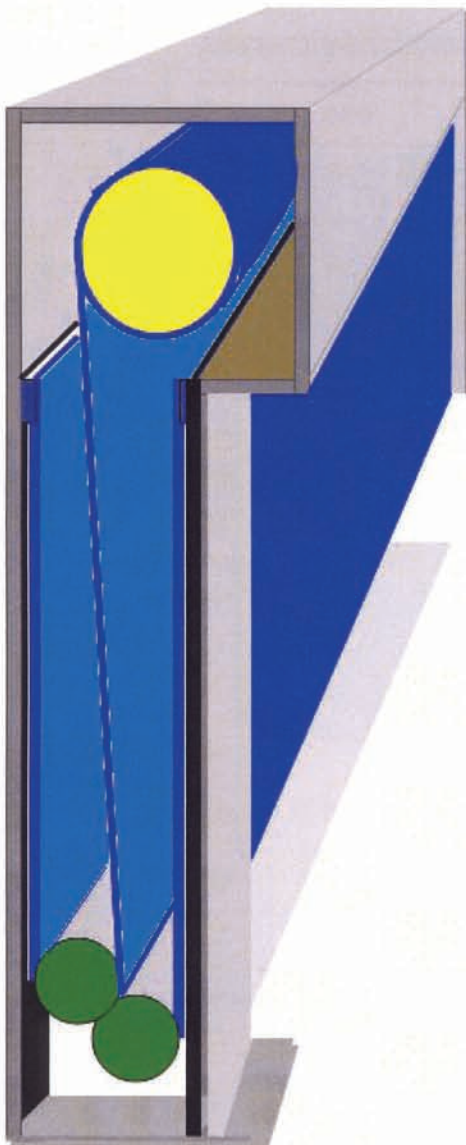


# Anatomy of Operation

The heart of the Pioneer Door is a unique, patented curtain sealing system which provides excellent environmental and thermal separation for any opening. Track mounted hook and loop seals the 3 ply curtain on both the front and back of the side channels to virtually eliminate air infiltration. When closed the door provides temperature and thermal control while also preventing the passage of airborne particulate, including dust and moisture, through the opening.



## Simple, functional design and construction



### Upper drive shaft roller

- lifts and lowers the curtain by the center fabric layer



### Two offset lower tension roller bars

- creates the side "seal" by pushing the hook into the loop as the curtain is lowered



### 3 ply (layers) woven polyolefin and polyethylene curtain fabric

- tough, flexible and tear resistant fabric is easy to patch if punctured minimizing downtime. Available in white(standard), blue, red, green, beige, black and white anti-static (with black carbon fiber threads)



### Industrial hook and loop \*

- specially designed high strength and high cycle material



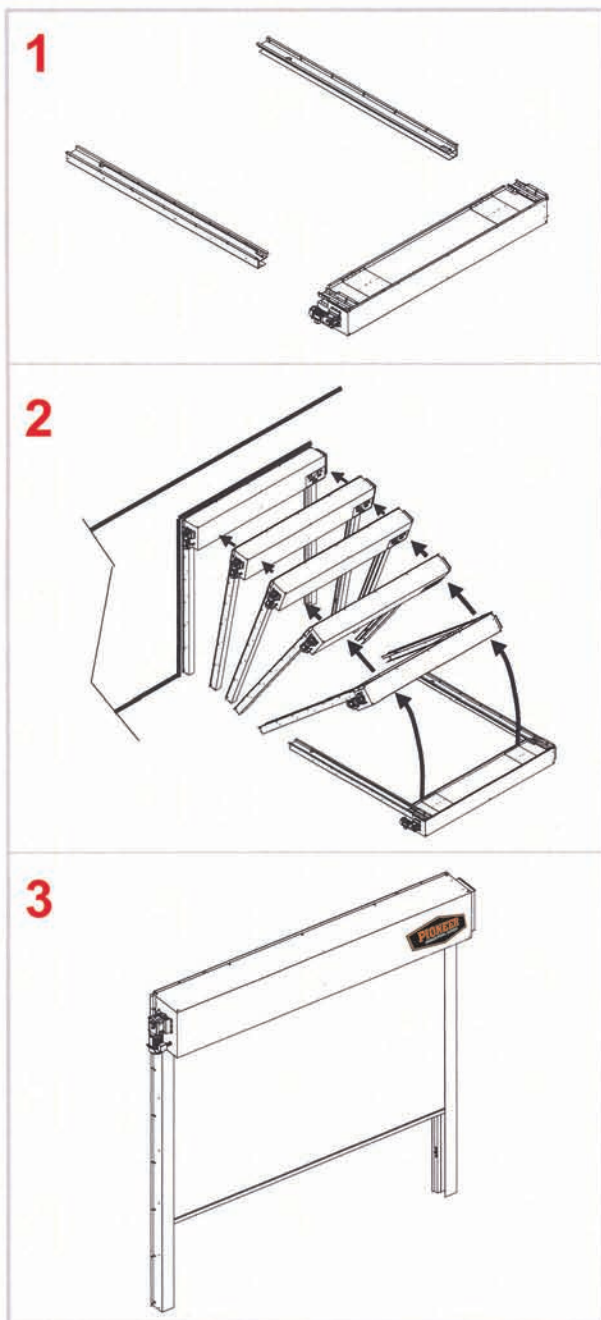
### Aluminum side channels, header frame and cover

- strong, lightweight and easy to clean



# Easy Installation

The Pioneer Door line provides simple, functional and inexpensive environmental control. All models offer a a unique and affordable choice for applications where environmental control, pressurization and low cost are requirements.



No torsion springs, complicated tracks or special bracing required

- **For the 300ST & 400ST Models**
  - Slide side channels into header.
    - Bolt in place.
  - Stand up in opening.
    - Attach to wall and floor with appropriate hardware
    - Mount & attach operator
    - Wire to local power
    - Mount and wire activation
  
- **For the automated 500ST and 600ST models**
  - Slide side channels into header.
    - Bolt in place.
    - Plug in safety beam connectors
  - Stand up in opening.
    - Attach to wall and floor with appropriate hardware
  - Mount controller and activation
    - Wire to local power
    - Plug-in motor and signal "quick" connectors
    - Run set-up program

